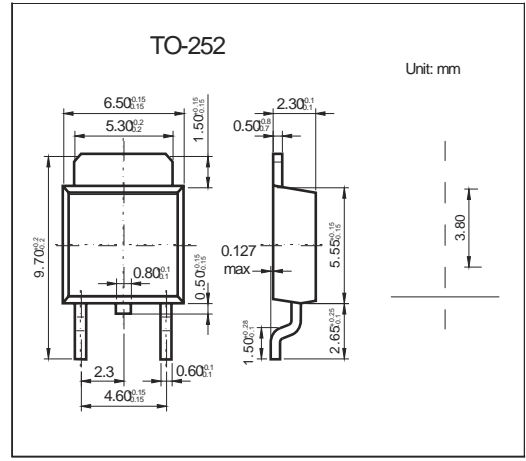


7KHUHH WHUPLQDO SRVLWLYH YROWDJH UHJX

)( \$ 785 (6  
 "0D [LPXP RXWSXW FXUUHQW ,20 \$  
 "2XWSXW YROWDJH92 9  
 "&RQWLQXR XV WRWDO GLVVLSDWLRQ  
 3' : 7 D /  
 0 (&+\$1, &\$ / '\$7\$  
 "&DVH 72 6PDOO 2XWOLQH 3ODVWL F 3DFNDJH  
 "3RODULW\ &RORUEDQG GHQRWHV FDKRGRHHQG  
 "ORXQLW LQJ 3RVLWLRQ \$Q\

\$  
 \$  
 \$  
 \$  
 \$  
 \$  
 \$  
 \$  
 \$  
 \$



|   |      |             |           |
|---|------|-------------|-----------|
| 3 D U D P H W H U   |      | 6 \ P E R O | 9 D O X H |
| , Q S X W 9 R O W D J H   | L    | 9           | 9         |
| 7 K H U H D O L V M D Q K F W W R Q L S                           | .5   |             | / :       |
| 2 S H U D W L Q J - X Q F W L R Q 7 H P S H U D W X U H 5 D Q J H | 2.95 | a 7         | /         |
| 6 W R U D J H 7 H P S H U D W X U H 5 D Q J H                     | 67*  | a           | /         |

3 D U D P H W H U                      6 \ P E R O                      7 H V'                      P \$

|   |                   |   |  |  |  |       |
|---|-------------------|---|--|--|--|-------|
| 4 X L H V F H Q W & X U U H Q W & K D Q J H | 9" 9 9            | / |  |  |  | P \$  |
| 2 X W S X W 1 R L V H 9 R O W D J H         | + ] " I " 9 . + ] | / |  |  |  | 9 9 R |
| 2 X W S X W Y R O W D J H G U L I W         | , 7 , 2 P \$ R    | / |  |  |  | P 9 / |
| 5 L S S O H 5 H M H F W L R Q               | 5 5 9 I 9 " 9     | / |  |  |  | G %   |
| ' U R S R X W 9 R O W D J H                 | 9 G , R \$        | / |  |  |  | 9     |
| 3 H D N & X U U H Q W                       | , S N             | / |  |  |  | \$    |

Pulse test.

7 < 3 , & \$ / \$ 3 3 / , & \$ 7 , 2 1

